



## Access Controller Use Manual V2.1



### 1. Specifications

#### 1.1 Technical parameters:

User Capacity	1000 users (Standard), 6000 users (Optional)
Card type	EM 125KHz (Standard), Mifare 13.56MHz (Optional)
Reading distance	1~5CM
Operating voltage	DC 12Vffl10%
Operating current	< 100mA
Operating temperature	0°C~60°C
Dimensions	115x76x19mm

#### 1.2 Factory Default:

Open Mode	Card or Password(PIN)
Common PIN	None
Unlocking Duration	5 S
Programming Password	123456



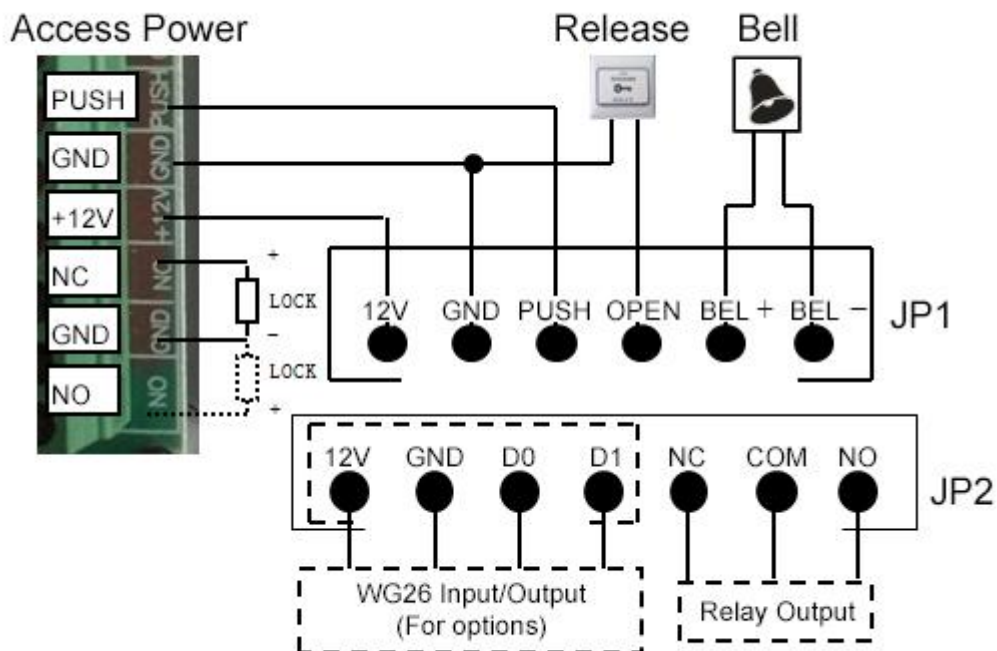
1.3 Light and Sound indicates:  
Light: red and green

Light Description	Indicates
Red light flash every 2 sec(Slow flash)	Standby state
Green light flash every 0.5sec(Fast flash)	Pending further operation
Red light is always ON	Programming state
Green light is always ON	Unlocking state
Red and green light flash alternately	Restoring Factory Programming Password

Sound: beep

Sound Description	Indicates
1 short beep	Valid input
3 short beeps	Invalid input
1 long beep	Programming state
3 long beeps	Restoring Factory Programming Password

## 2. Installations Guide



Remark:

If let Relay drive electric-lock, please connect a backward diode with the lock's "+" and "-" poles.



### 3. Programming Guide

#### 3.1. Programming Guide: (Programming Password Default: 123456)

Remark: All password can be 3~6

digits.

Programming Item	Press key and swipe card operations	Remark
Basic Function	Change Programming Password (Pro.PW)	<b># Pro.PW # 0 new Pro.PW # new Pro.PW #</b> If Pro.PW lost, perform 3.2 to reset to Factory Default (123456)
	Add user card	<b># Pro.PW # 1 swipe cards #</b> If add series cards, swipe cards continuously
	Configure Common PIN	<b># Pro.PW # 21 new Common PIN #</b> Common PIN is only one, Unlocking method : Enter Common PIN then press [#]
	Delete all users	<b># Pro.PW # 40 0000 #</b> Delete all cards and PIN except Common PIN
	Delete user by swiping card	<b># Pro.PW # 41 swipe cards #</b> If delete series cards, swipe cards continuously
Expand Function	Add user by input User ID	<b># Pro.PW # 22 4-digit User ID swipe card #</b> Add user card or PIN by user's ID. User ID must be 4 digits and cannot be reused (3 beeps means reused and need to enter a new). If add series users repeat the operation. More about User ID see 3.3
	Add PIN	<b># Pro.PW # 23 4-digit User ID new PIN #</b>
	Delete user by User ID	<b># Pro.PW # 42 4-digit User ID #</b>
	Delete user by card No.	<b># Pro.PW # 43 card No. #</b> Card No. is 10-digit or 8- digit, device auto-identify
	Configure Unlocking Duration	<b># Pro.PW # 5 XX #</b> XX is 2-digit (00~99). If XX is 00, Unlocking Duration is 0.2s
	Configure Authentication Mode	<b># Pro.PW # 6 XX #</b> XX can be 01(only Card)/02(Card or PIN)/03(Card & PIN)
	Reader setting (For options)	<b># Pro.PW # 6 04 #</b> The machine can be used for reader(W26 output)
	Backlight setting(For options)	<b># Pro.PW # 8 XX #</b> XX can be 01/02/03 (Normal ON / Normal OFF / Auto)
	Reset Factory Default	<b># Pro.PW # 8 99 #</b> Except Programming Password and Manager Card

#### 3.2 How to reset to Factory Programming Password (123456)

Step1, Turn off power and connect OPEN and GND terminal. Turn on power then there is 3 long beeps with green and red light flashing alternately.

Step2, Turn off power, disconnect OPEN and GND terminal. Turn on power again. Initializing Programming Password is completed.

#### 3.3. Use ID explanation

User ID is 4-digit number from 0001 to 9999. There is no User ID for the users added by command [1]. Perform command [40] to clear all User ID.

#### 3.4. How to change PIN

Swipe card or press PIN to unlock within 5s press [#] for 3s until the green light flash fast, then press [new PIN # new PIN #], the new PIN changed successfully with a long beep.



## 3.5. Authentication Mode for Card & PIN function

Setp1, When Authentication Mode is [Card or PIN] (factory default), according to the step 3.4 to configure the PIN of the card.

Setp2, Press [# Programming Password # 603 #] to configure Authentication Mode to be [Card & PIN].

Setp3, Swipe user's card with green light fast flash then input [PIN #] with green light normally ON, the door opened successfully.

## 3.6 Door open function description:

When the credit card or password is normally opened, press the 7, 9 digit key to keep the door open. When the door is always open, only once the credit card, password, or the door button is opened again, the exit is always open.